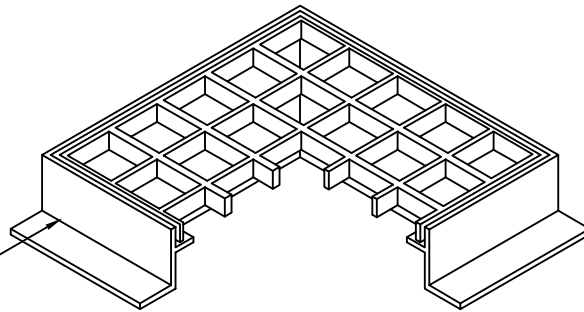


Loose V-4880-1 F & G

Weight = 425 Lbs.

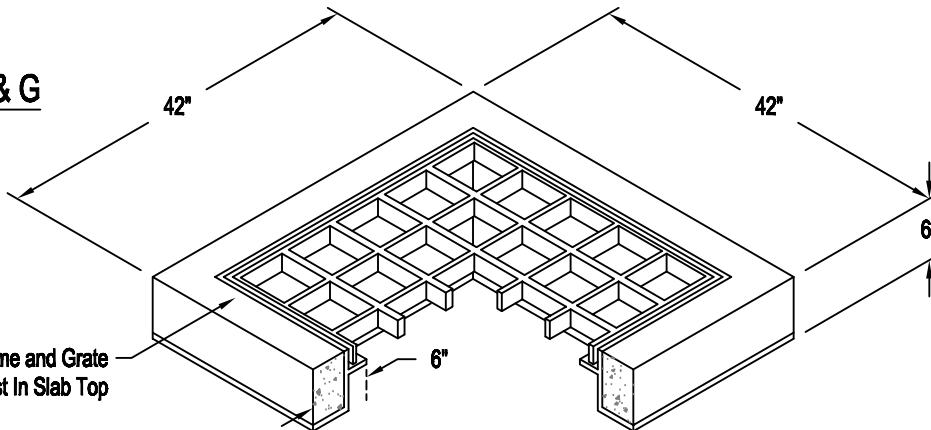
V-4880-1 Frame and Grate
(Loose) for Paving Areas



Top w/ V-4880-1 F & G

Weight = 875 Lbs.

V-4880-1 Frame and Grate
(or Equal) Cast In Slab Top



Riser 30" x 30" x 6"

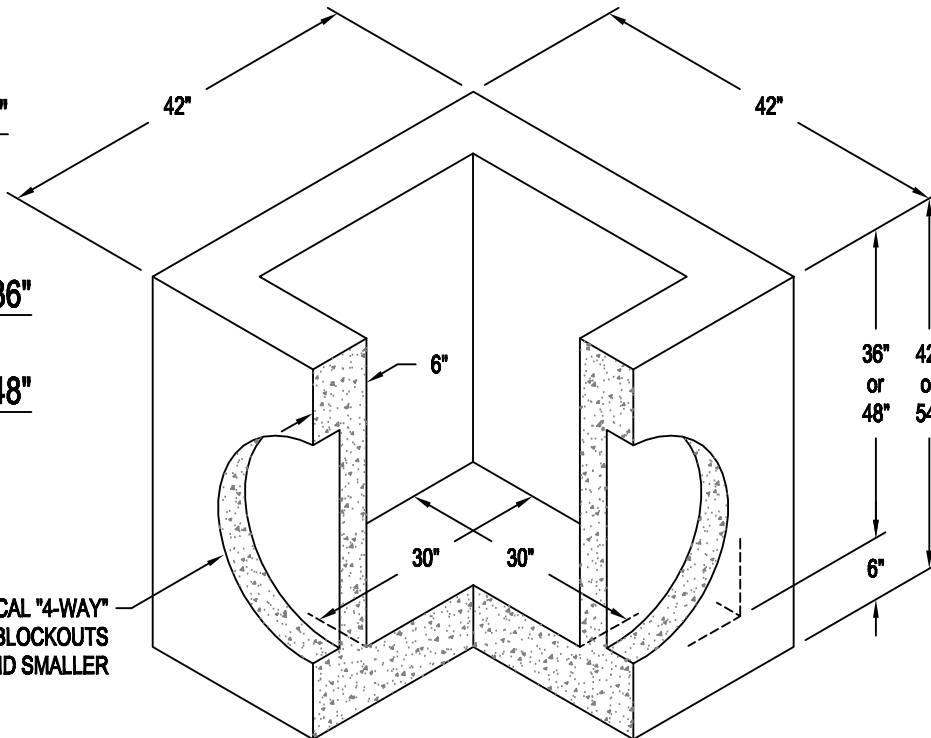
(Not Shown For Clarity)

Weight = 450 Lbs.

Riser 30" x 30" x 12"

(Not Shown For Clarity)

Weight = 900 Lbs.



Bottom 30" x 30" x 36"

Weight = 3620 Lbs.

Bottom 30" x 30" x 48"

Weight = 4520 Lbs.

30" DIA. TYPICAL "4-WAY"
THIN-WALL BLOCKOUTS
FOR 24" RCP AND SMALLER

SPECIFICATIONS

REINFORCEMENT: GRADE 60 NO. 4 STEEL REBAR TO CONFORM TO ASTM A-615 ON REQ'D CENTERS. GRADE 60.

CONCRETE: CONCRETE DESIGN TO BE CLASS 1 WITH 28 DAY STRENGTH OF 4500 PSI. BOTTOMS TO BE OF MONOLITHIC CONSTRUCTION AS SHOWN.

CASTINGS: FRAME AND GRATES CAST INTO RISERS AND/OR BOTTOMS TO BE AS SHOWN IN PLANS AND SPECS

PRECAST OF HOUSTON

"WE DELIVER WHAT OTHER PEOPLE PROMISE"

PHONE : (281) 367-1456

FAX : (281) 419-7860

11393 SLEEPY HOLLOW RD.

CONROE, TX 77385

SCALE : ****

DATE :08/03

APPROVED BY :

DRAWN BY :

RON

30" x 30" Type "A" Inlet

DRAWING NUMBER :

InTyA

REV. :

0