

**Top Section w/ R and L Ext**

Weight : 6150 Lbs.

**Mid-Section w/ R and L Ext**

Weight : 5100 Lbs.

**Riser 36" x 60" x 6"**

Weight : 675 Lbs.

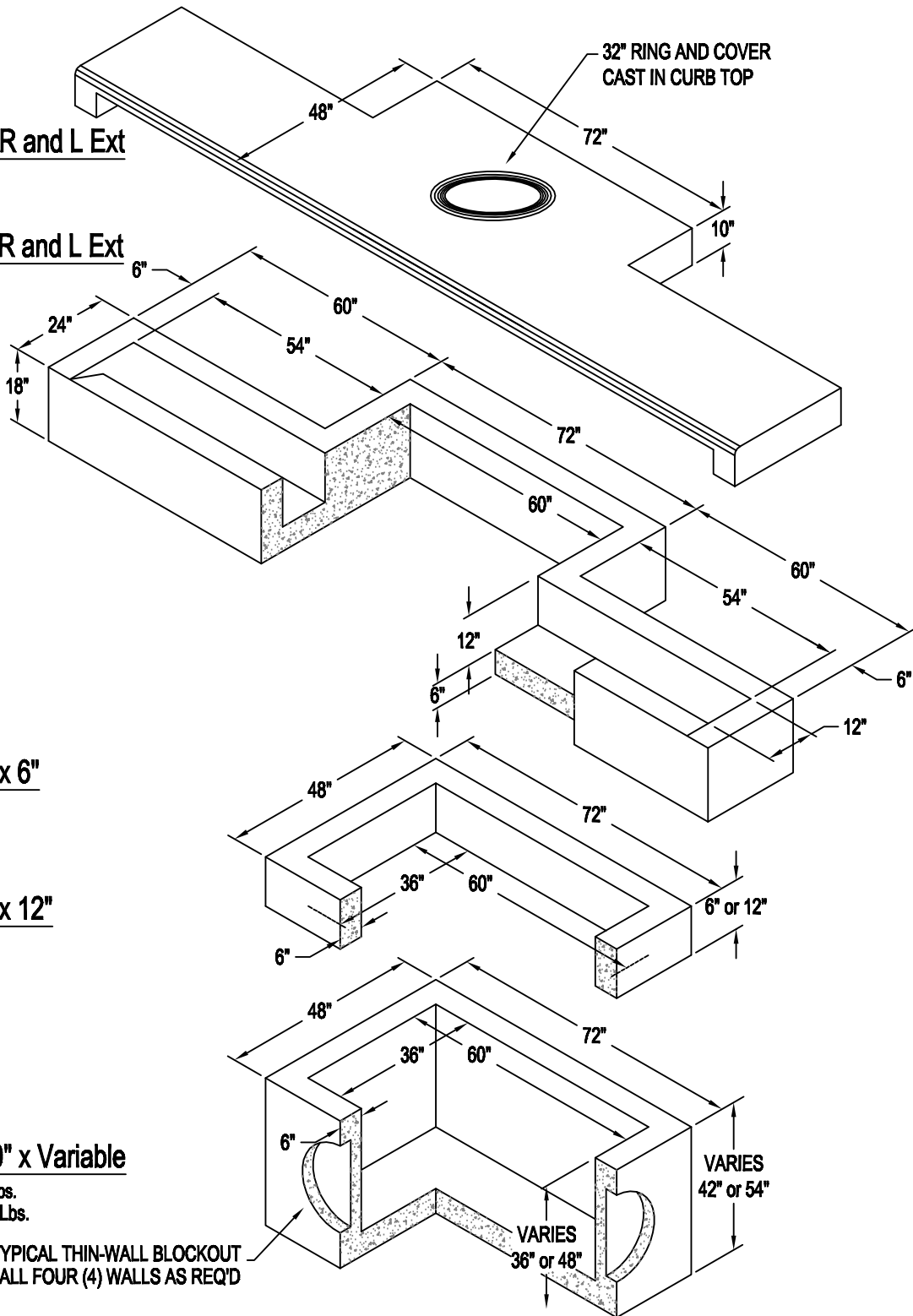
**Riser 36" x 60" x 12"**

Weight : 1350 Lbs.

**Bottom 36" x 60" x Variable**

Weight : (36") 5850 Lbs.  
Weight : (48") 7200 Lbs.

TYPICAL THIN-WALL BLOCKOUT  
ALL FOUR (4) WALLS AS REQ'D



**SPECIFICATIONS**

REINFORCEMENT: GRADE 60 NO. 4 STEEL REBAR TO CONFORM TO ASTM A-615 ON REQ'D CENTERS. GRADE 60.

CONCRETE: CONCRETE DESIGN TO BE CLASS 1 WITH 28 DAY STRENGTH OF 4500 PSI. BOTTOMS TO BE OF MONOLITHIC CONSTRUCTION AS SHOWN.

CASTINGS: RINGS AND COVERS ARE GREY CAST IRON CONFORMING TO ASTM A48-76 CLASS 35

**PRECAST OF HOUSTON**

"WE DELIVER WHAT OTHER PEOPLE PROMISE"

PHONE : (281) 367-1456  
FAX : (281) 419-7860

11393 SLEEPY HOLLOW RD.  
CONROE, TX 77385

SCALE : \*\*\*\*  
DATE :08/03

APPROVED BY :

DRAWN BY :  
RON

**36" x 60" TYPE "C2" INLET**

DRAWING NUMBER :  
InITyC2

REV. :  
0