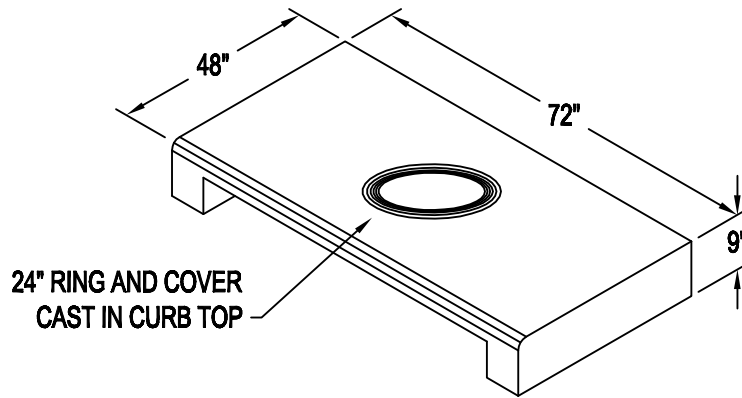
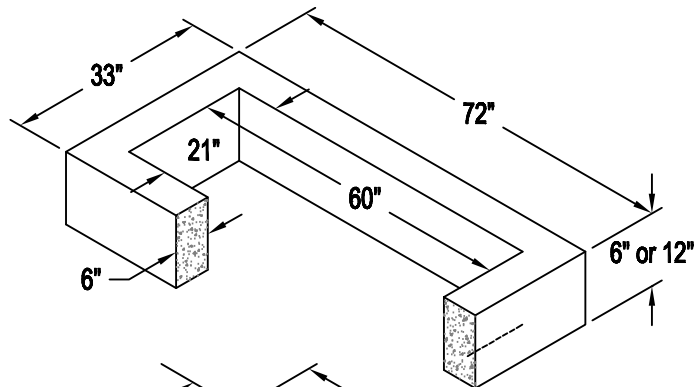


Top Section 33" x 72" x 9"
 Weight : 2100 Lbs.

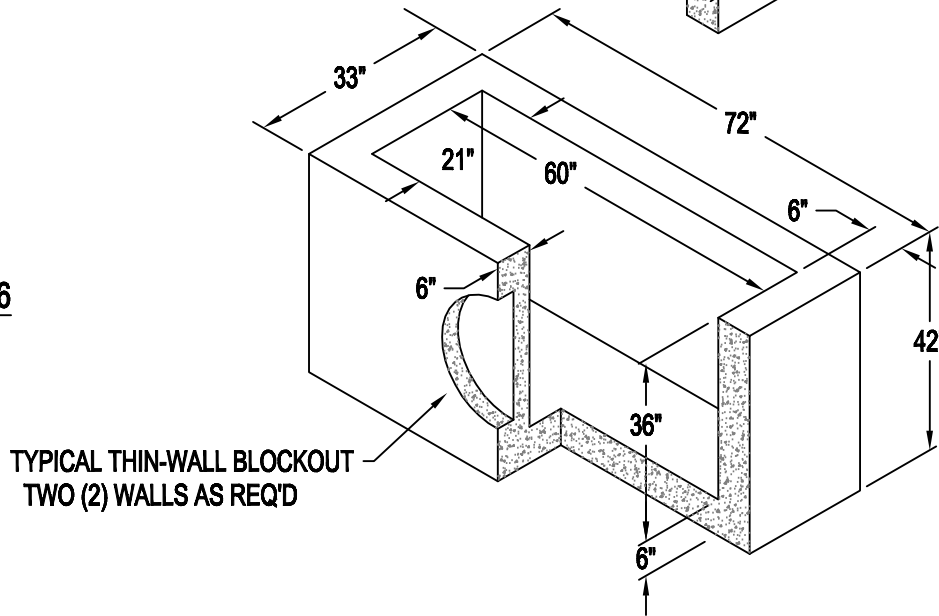


Riser 21" x 60" x 6"
 Weight : 580 Lbs.

Riser 21" x 60" x 12"
 Weight : 1165 Lbs.



Bottom 21" x 60" x 36"
 Weight : 4725 Lbs.



TYPICAL THIN-WALL BLOCKOUT
 TWO (2) WALLS AS REQ'D

SPECIFICATIONS

- REINFORCEMENT: GRADE 60 NO. 4 STEEL REBAR TO CONFORM TO ASTM A-615 ON REQ'D CENTERS. GRADE 60.
- CONCRETE: CONCRETE DESIGN TO BE CLASS 1 WITH 28 DAY STRENGTH OF 4500 PSI. BOTTOMS TO BE OF MONOLITHIC CONSTRUCTION AS SHOWN.
- CASTINGS: RINGS AND COVERS ARE GREY CAST IRON CONFORMING TO ASTM A48-76 CLASS 35

PRECAST OF HOUSTON

"WE DELIVER WHAT OTHER PEOPLE PROMISE"

PHONE : (281) 367-1456
 FAX : (281) 419-7860

11393 SLEEPY HOLLOW RD.
 CONROE, TX 77385

SCALE : ****	APPROVED BY :	DRAWN BY : RON
DATE :08/03		

21" x 60" TYPE "CI" INLET

DRAWING NUMBER : InITyCI	REV. : 0
-----------------------------	-------------