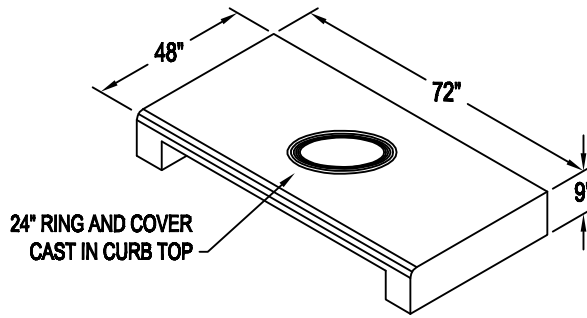


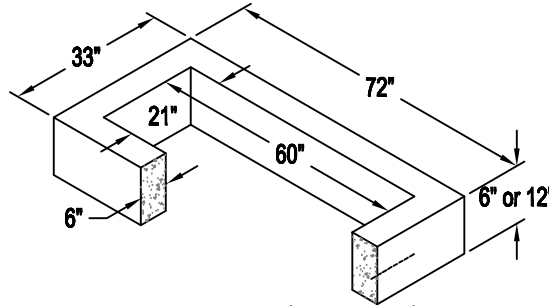
**Top Section 33" x 72" x 9"**

Weight : 2100 Lbs.



**Riser 21" x 60" x 6"**

Weight : 580 Lbs.

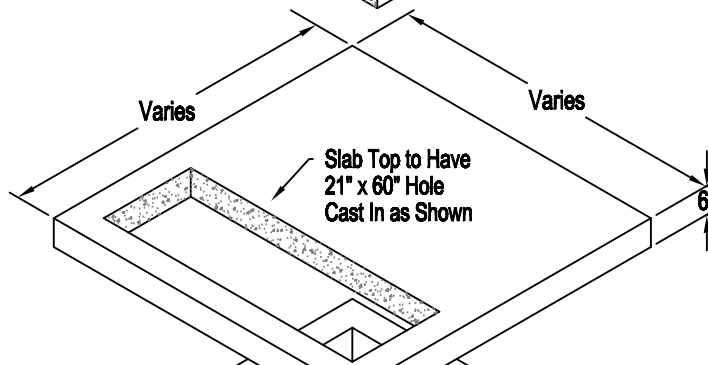


**Riser 21" x 60" x 12"**

Weight : 1165 Lbs.

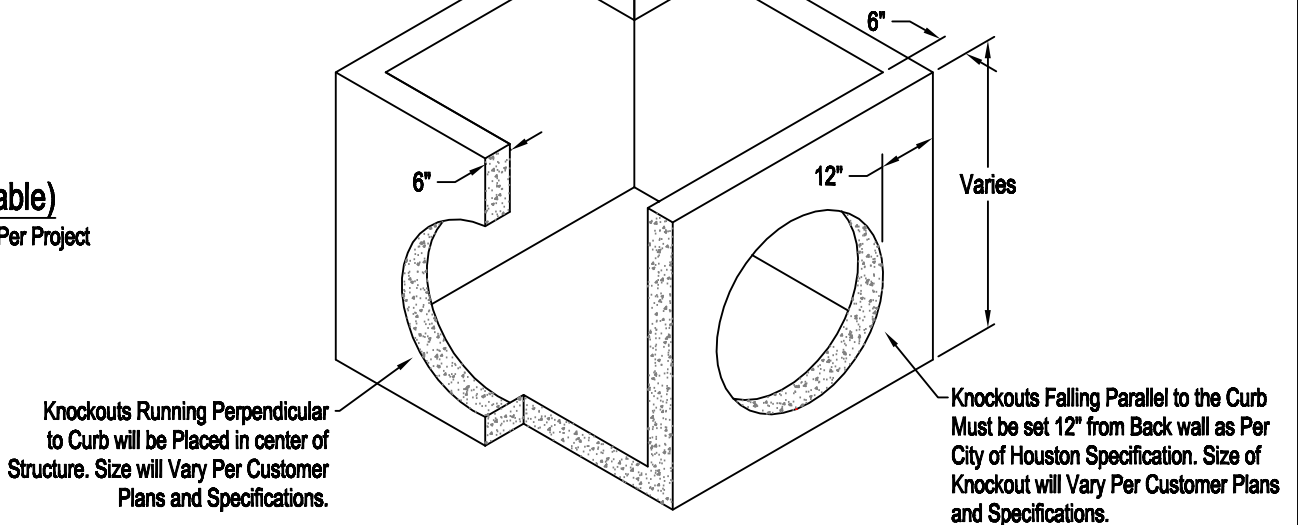
**Slab Top (Variable)**

Weight : Varies Per Project



**Bottom (Variable)**

Weight : Varies Per Project



**SPECIFICATIONS**

**REINFORCEMENT:** GRADE 60 NO. 4 STEEL REBAR TO CONFORM TO ASTM A-615 ON REQ'D CENTERS. GRADE 60.

**CONCRETE:** CONCRETE DESIGN TO BE CLASS 1 WITH 28 DAY STRENGTH OF 4500 PSI. BOTTOMS TO BE OF MONOLITHIC CONSTRUCTION AS SHOWN.

**CASTINGS:** RINGS AND COVERS ARE GREY CAST IRON CONFORMING TO ASTM A48-76 CLASS 35

**PRECAST OF HOUSTON**

"WE DELIVER WHAT OTHER PEOPLE PROMISE"

PHONE : (281) 367-1456  
FAX : (281) 419-7860

11393 SLEEPY HOLLOW RD.  
CONROE, TX 77385

SCALE : \*\*\*\*  
DATE :08/03

APPROVED BY :

DRAWN BY :  
RON

**MODIFIED TYPE "CI" INLET**

DRAWING NUMBER :  
InTyCIMod

REV. :  
0