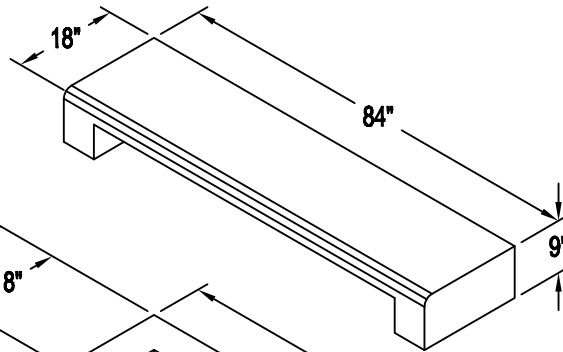


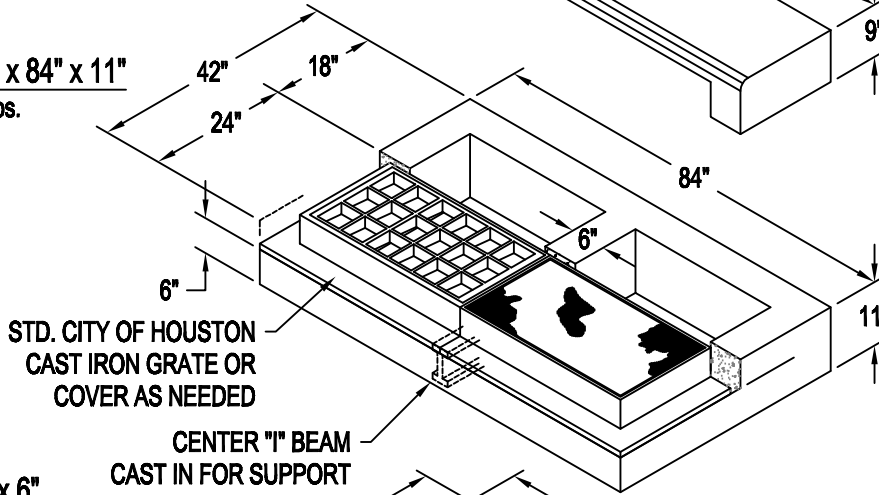
Top Section 18" x 84" x 9"

Weight : 1045 Lbs.



Mid Section 42" x 84" x 11"

Weight : 960 Lbs.

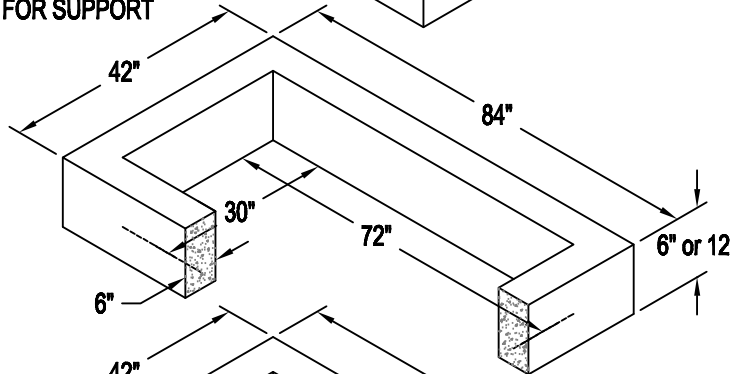


Riser 30" x 72" x 6"

Weight : 715 Lbs.

Riser 30" x 72" x 12"

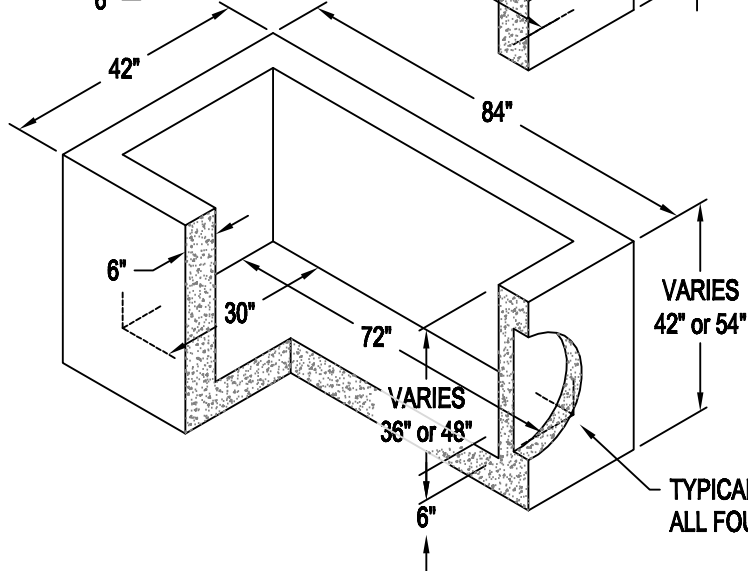
Weight : 1425 Lbs.



Bottom 30" x 72" x Variable

Weight : (36") 6115 Lbs.

Weight : (48") 7540 Lbs.



SPECIFICATIONS

REINFORCEMENT: GRADE 60 NO. 4 STEEL REBAR TO CONFORM TO ASTM A-615 ON REQ'D CENTERS. GRADE 60.

CONCRETE: CONCRETE DESIGN TO BE CLASS 1 WITH 28 DAY STRENGTH OF 4500 PSI. BOTTOMS TO BE OF MONOLITHIC CONSTRUCTION AS SHOWN.

CASTINGS: FRAME AND GRATES/COVERS ARE GREY CAST IRON CONFORMING TO ASTM A48-76 CLASS 35

PRECAST OF HOUSTON

"WE DELIVER WHAT OTHER PEOPLE PROMISE"

PHONE : (281) 367-1456
FAX : (281) 419-7860

11393 SLEEPY HOLLOW RD.
CONROE, TX 77385

SCALE : ****
DATE : 08/03

APPROVED BY :

DRAWN BY :
RON

30" x 72" TYPE "GGX" INLET

DRAWING NUMBER : InTyGGX

REV. :
0