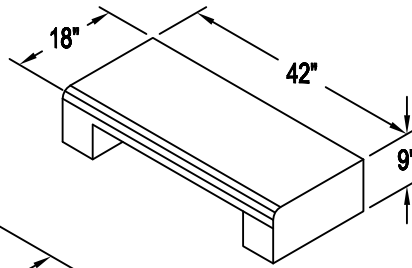


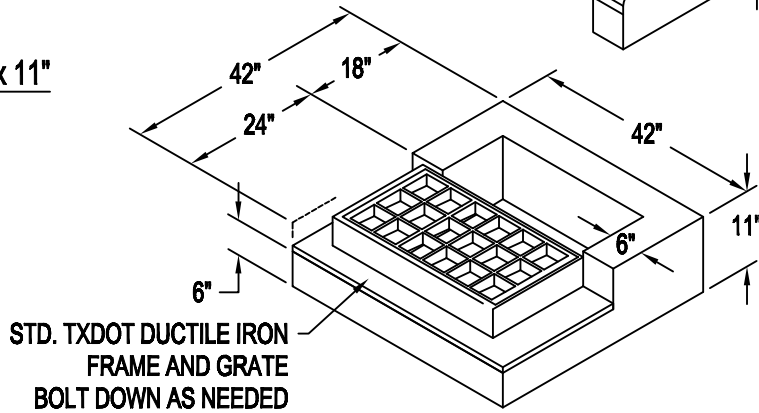
**Top Section 18" x 42" x 9"**

Weight : 520 Lbs.



**Mid Section 42" x 42" x 11"**

Weight : 750 Lbs.

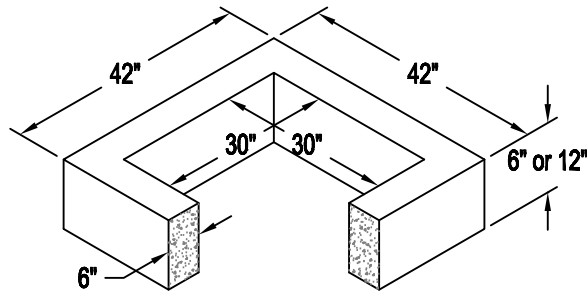


**Riser 30" x 30" x 6"**

Weight : 450 Lbs.

**Riser 30" x 30" x 12"**

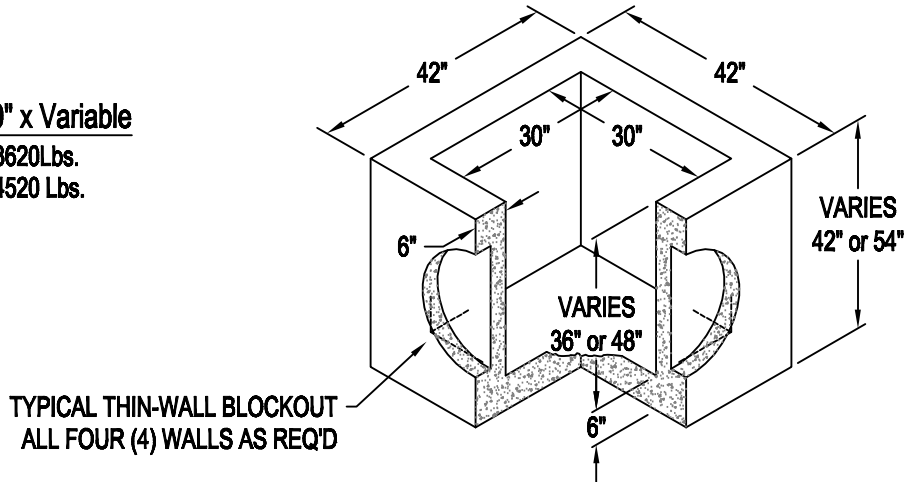
Weight : 900 Lbs.



**Bottom 30" x 30" x Variable**

Weight : (36") 3620Lbs.

Weight : (48") 4520 Lbs.



**SPECIFICATIONS**

**REINFORCEMENT:** GRADE 60 NO. 4 STEEL REBAR TO CONFORM TO ASTM A-615 ON REQ'D CENTERS. GRADE 60.

**CONCRETE:** CONCRETE DESIGN TO BE CLASS 1 WITH 28 DAY STRENGTH OF 4500 PSI. BOTTOMS TO BE OF MONOLITHIC CONSTRUCTION AS SHOWN.

**CASTINGS:** RINGS AND COVERS ARE GREY CAST IRON CONFORMING TO ASTM A48-76 CLASS 35

**PRECAST OF HOUSTON**

"WE DELIVER WHAT OTHER PEOPLE PROMISE"

PHONE : (281) 367-1456  
FAX : (281) 419-7860

11393 SLEEPY HOLLOW RD.  
CONROE, TX 77385

SCALE : \*\*\*\*  
DATE : 08/03

APPROVED BY :

DRAWN BY :  
RON

**30" x 30" TYPE "GX" INLET**

DRAWING NUMBER :  
InTyB

REV. :  
0