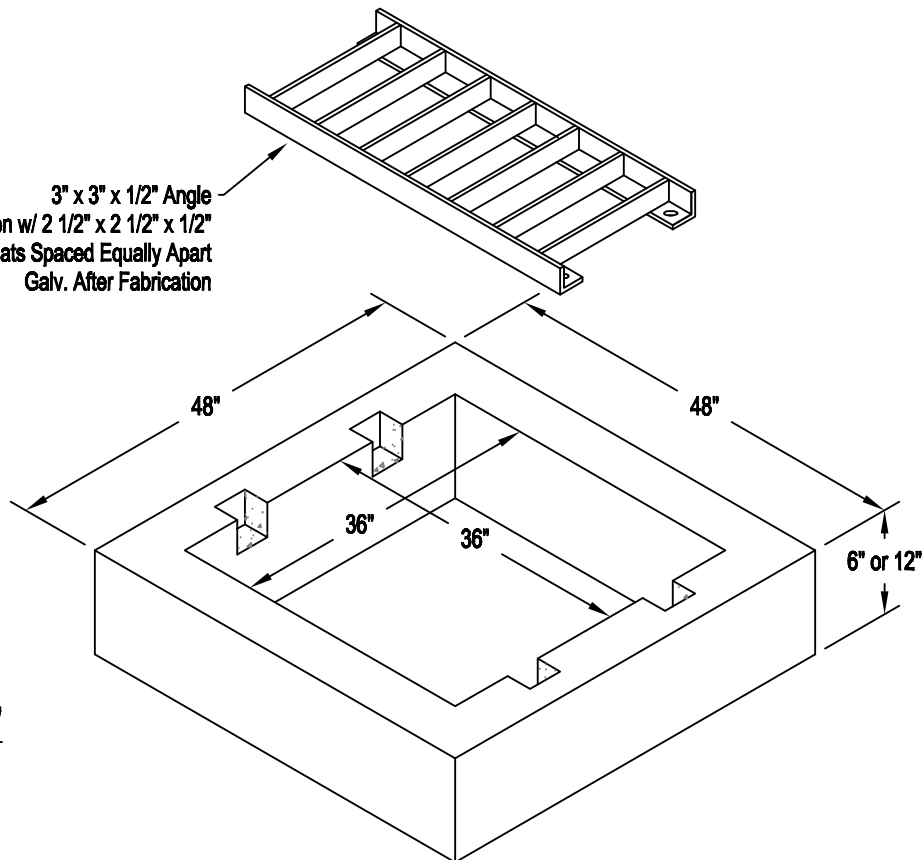


Grate 18" x 42"

Weight = 95 Lbs.

3" x 3" x 1/2" Angle
Iron w/ 2 1/2" x 2 1/2" x 1/2"
Flats Spaced Equally Apart
Galv. After Fabrication

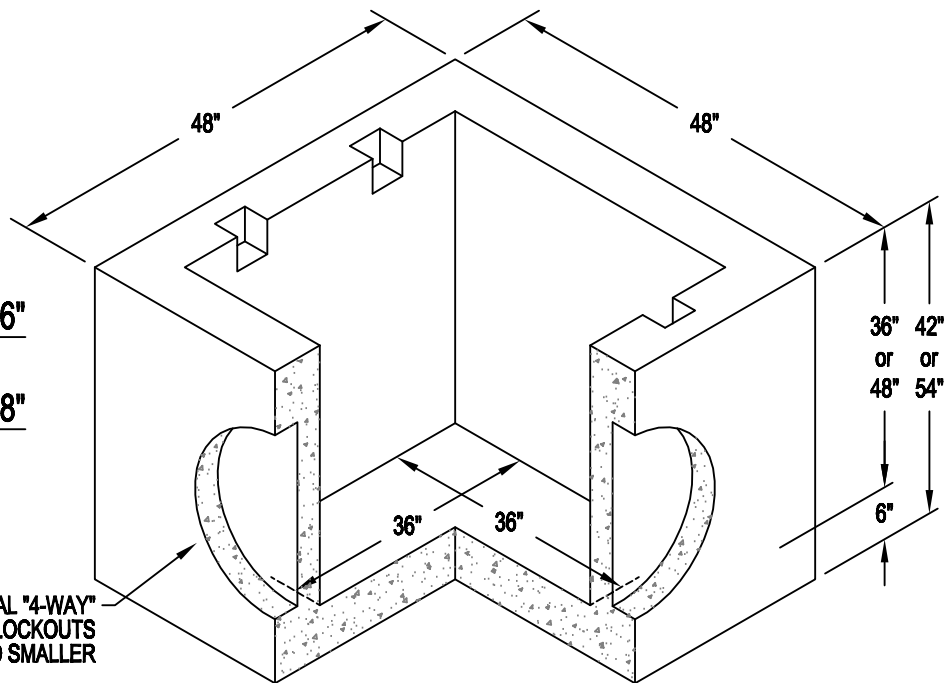


Riser 36" x 36" x 6"

Weight = 525 Lbs.

Riser 36" x 36" x 12"

Weight = 1050 Lbs.



Bottom 36" x 36" x 36"

Weight = 4360 Lbs.

Bottom 36" x 36" x 48"

Weight = 5400 Lbs.

32" DIA. TYPICAL "4-WAY"
THIN-WALL BLOCKOUTS
FOR 24" RCP AND SMALLER

SPECIFICATIONS

REINFORCEMENT: GRADE 60 NO. 4 STEEL REBAR TO CONFORM TO ASTM A-615 ON REQ'D CENTERS. GRADE 60.

CONCRETE: CONCRETE DESIGN TO BE CLASS 1 WITH 28 DAY STRENGTH OF 4500 PSI. BOTTOMS TO BE OF MONOLITHIC CONSTRUCTION AS SHOWN.

CASTINGS: FRAME AND GRATES CAST INTO RISERS AND/OR BOTTOMS TO BE AS SHOWN IN PLANS AND SPECS

PRECAST OF HOUSTON

"WE DELIVER WHAT OTHER PEOPLE PROMISE"

PHONE : (281) 367-1456
FAX : (281) 419-7860

11393 SLEEPY HOLLOW RD.
CONROE, TX 77385

SCALE : ****
DATE : 08/03

APPROVED BY :

DRAWN BY :
RON

36" x 36" TYPE "H" INLET

DRAWING NUMBER : InTyH

REV. :
0